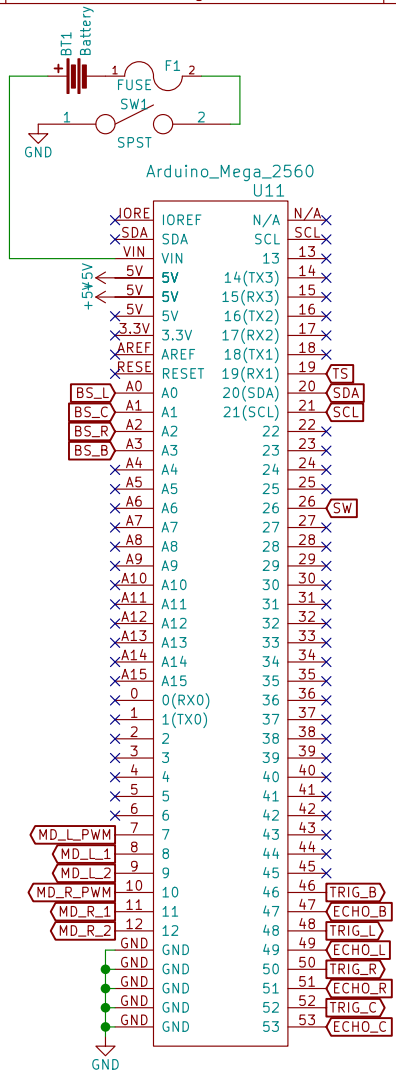
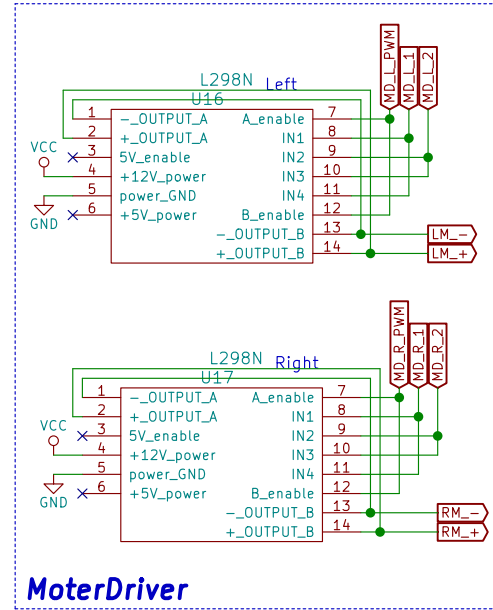


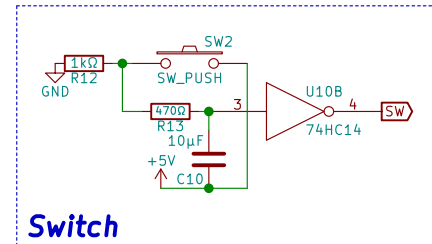
Ball Sensor



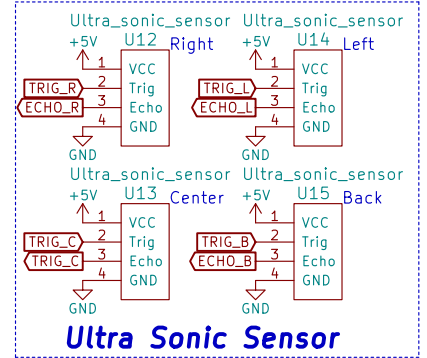
Touch Sensor



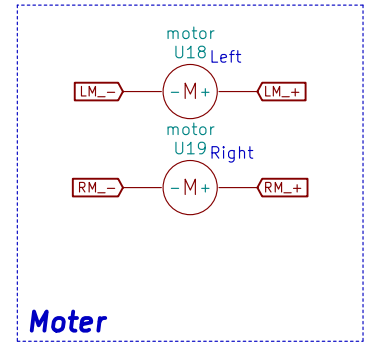
MotorDriver



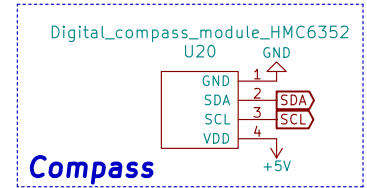
Switch



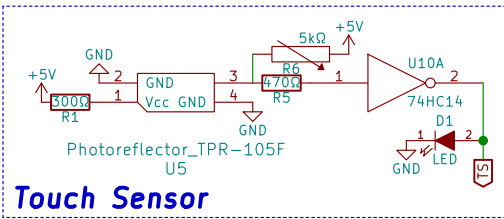
Ultra Sonic Sensor



Motor



Compass



Photoreflector_TPR-105F

Sheet: /
File: robot2018 Ver.Japan Open.sch

Title:
Size: A4 Date:
KiCad E.D.A. kicad 4.0.1-stable Rev:
Id: 1/1